



ADVANCED INDUSTRIAL DESIGNS, INC.
70 SARATOGA AVE., STE. 200
SANTA CLARA, CA 95051
PHONE: 408.261.4172
FAX: 408.261.4176

Advanced Industrial Designs, Inc is setting the industry standard for safe, closed and code compliant solvent dispensing units and ventilation systems. AIDI is also the exclusive Bay Area representatives for **Wastech: Controls & Engineering, Inc** and **Fisher Company: Fluoropolymer Coatings and Linings**.

- Laboratory Solvent Systems
- HPLC Vent Headers
- HPLC LC/MS parts and fittings for HPLC Vent Header Systems
- Specialty and custom HPLC LC/MS columns
- Distribution / Vapor Control Septums and Caps
- Distribution / Vapor Control Kits
- Waste Collection Cabinets
- Lift Stations
- Polymers with robust chemical resistance for unique chromatography



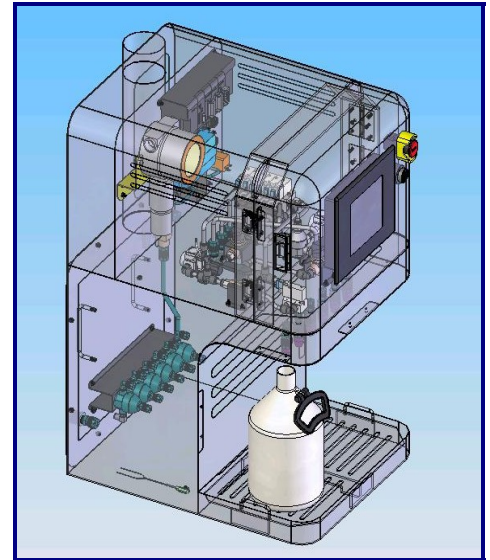
An industry leader in custom waste treatment solutions and special chemical handling systems

- pH Neutralization Systems, Heavy Metal Removal and DI Systems
- Pump Lift Stations and Control Panels
- OMEGA Neutralization Systems and LabDelta Acid Waste Systems
- Metering Pump Platforms
- Waste Treatment Systems
- Waste Collection and Drum Fill Stations
- Waste Collection and Transfer Stations
- Solvent Collection and Chemical Automation Systems

FISHER COMPANY

World leader in the technology and application of high build fluoropolymer coatings and linings

- Chemical Resistant Coatings that are FDA Compliant and meet the requirements of USP Class VI, the highest rating for any plastic coating or lining and comply with FDA Rule 24 requirements
- Field Installation of Fluoropolymer Linings and Coatings
- Fabrication of Dual Laminate Vessels & Tanks with a number of thermoplastic and Fluoropolymer linings



SolventSpense™ is a code compliant, closed unit that safely dispenses your hazardous materials and solvents



ADVANCED INDUSTRIAL DESIGNS, INC.
FOR INQUIRIES, PLEASE VISIT: <http://www.aidi-ca.com>