



ADVANCED INDUSTRIAL DESIGNS, INC.
70 SARATOGA AVE., STE. 200
SANTA CLARA, CA 95051
PHONE: 408.261.4172
FAX: 408.261.4176

SolventSpense™

Setting the industry standard for safe, closed and code compliant solvent dispense units for flammable, combustible liquids, cytotoxic and other hazardous compounds

Issue:

Solvent distribution in most labs remains a holdover from the 1950's; solvents enter in one-gallon containers and wastes are removed in one-gallon containers. Unfortunately, current laboratory practices no longer tolerate this archaic method of solvent handling. Solvent use in today's labs is increasing and competing for ever more critical lab space.

Solution:

AIDI's SolventSpense™
(Patent Pending)

AIDI's SolventSpense™ provides...

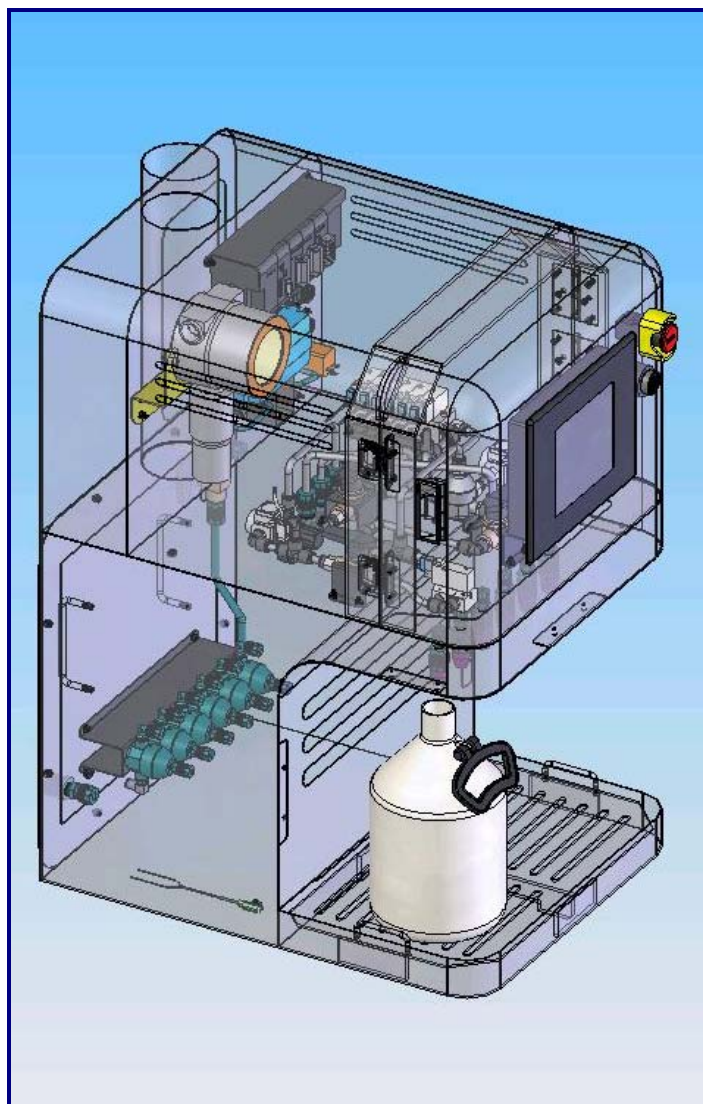
- *CODE COMPLIANCE*
- *COMPATIBILITY WITH ALL LABORATORY SOLVENTS*
- *PROTECTION FROM HAZARDOUS, TOXIC AND HIGHLY TOXIC COMPOUNDS*
- *ELIMINATES THE NEED FOR A SEPARATE FUME HOOD TO STORE SOLVENTS*

Advanced Industrial Designs, Inc. (AIDI) has created SolventSpense™, an efficient solution to a complex and dangerous problem. SolventSpense™ is modeled after a common soda fountain; but instead of dispensing soda, it dispenses laboratory solvents in a safe environment-complete with waste collection and fume extraction.

The SolventSpense™ was designed to comply with good laboratory practices and other industry standards, as well as state and local codes and regulations. With a SolventSpense™ on your lab bench top you can dispense High Purity Solvents to HPLCs and similar analytical equipment.

AIDI's SolventSpense™ incorporates an integral fume exhaust system, eliminating the need and expense of a separate fume hood, saving valuable lab space. More important, the SolventSpense™ solution provides safe supply and storage of dangerous materials.

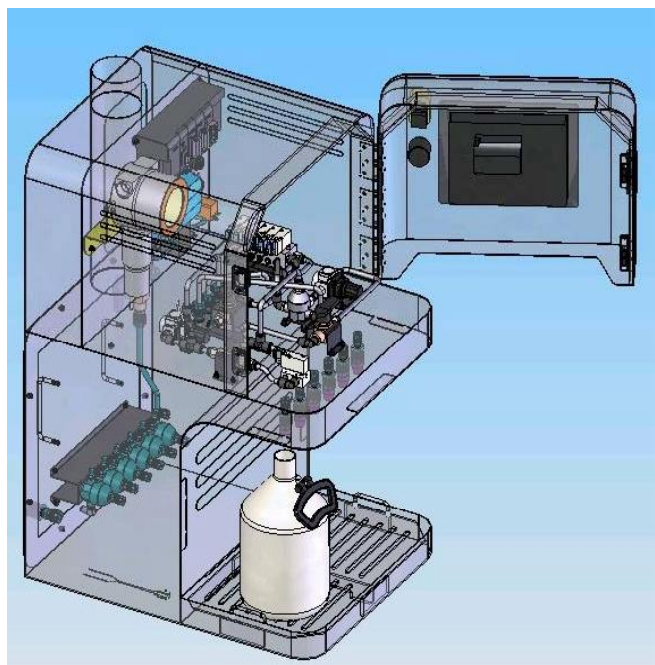
Give us a call today if you are ready to dispense with your code compliance issues while safely dispensing your hazardous materials and solvents.



Solvent Spense™ (Patent Pending)

For more information, please contact:
ADVANCED INDUSTRIAL DESIGNS, INC.
Phone: 408.261.4172
Fax: 408.261.4176
Nick Otis: nick@aidi-ca.com
George Michael: george@aidi-ca.com

ADVANCED INDUSTRIAL DESIGNS, INC.
FOR INQUIRIES, PLEASE VISIT: <http://www.aidi-ca.com>



Solvent Spense™ SPECIFICATIONS SHEET

PRODUCT FEATURES

- Sits on the bench top – saves valuable lab space
- Compatible with all Solvents
- Simple to operate – standard operational features
- Minimizes permit requirements – meets uniform fire code requirements for flammable liquid handling
- Eliminates the need for a separate fume hood
- Heavy-duty stainless steel construction for maximum structural rigidity and fire protection
- Easy to install
- Nowpak™ quick-connect chemical tank

PLUMBING SPECIFICATIONS

- Welded stainless-steel plumbing with redundant (fail-closed) actuated valves and visual position indicators
- Wetted valve-trim material which includes stainless-steel and Teflon™

SYSTEM REQUIREMENTS

- Electrical: 110 VAC, 60 Hz
- N2: 60 psig
- Exhaust: 4" Ø , 220 CFM, .75in. H20

CONTROLS:

- Leak detection in ancillary sump
- LEL detection within controls panel
- Light tower showing status of dispenser
- Audible attention getting device when CDS is in fault or alarm

SAFETY FEATURES:

- Manual (full-port) ball valve for technician safety during maintenance
- Excess ventilation to maintain 25% LEL in accordance with NFPA 30 and California Fire Code Article 79
- Lexan Polycarbonate splash guard
- Z-Purged controls enclosure for flammable solvents
- Incorporates safety interlocks to prevent spills
- Interfaces with BMS for alarm and solvent supply level monitoring

Solvent Spense™ is a Trademark of Advanced Industrial Designs, Inc.2007; Nowpak™ is a Trademark of ATMI; EM ReCycler® is a Registered Trademark of Merck, ltd. ; Teflon is a Trademark of DuPont Corporation